



## AERATION UNITS FOR MECHANICAL FLOTATION CELLS

Saint-Petersburg, 2020

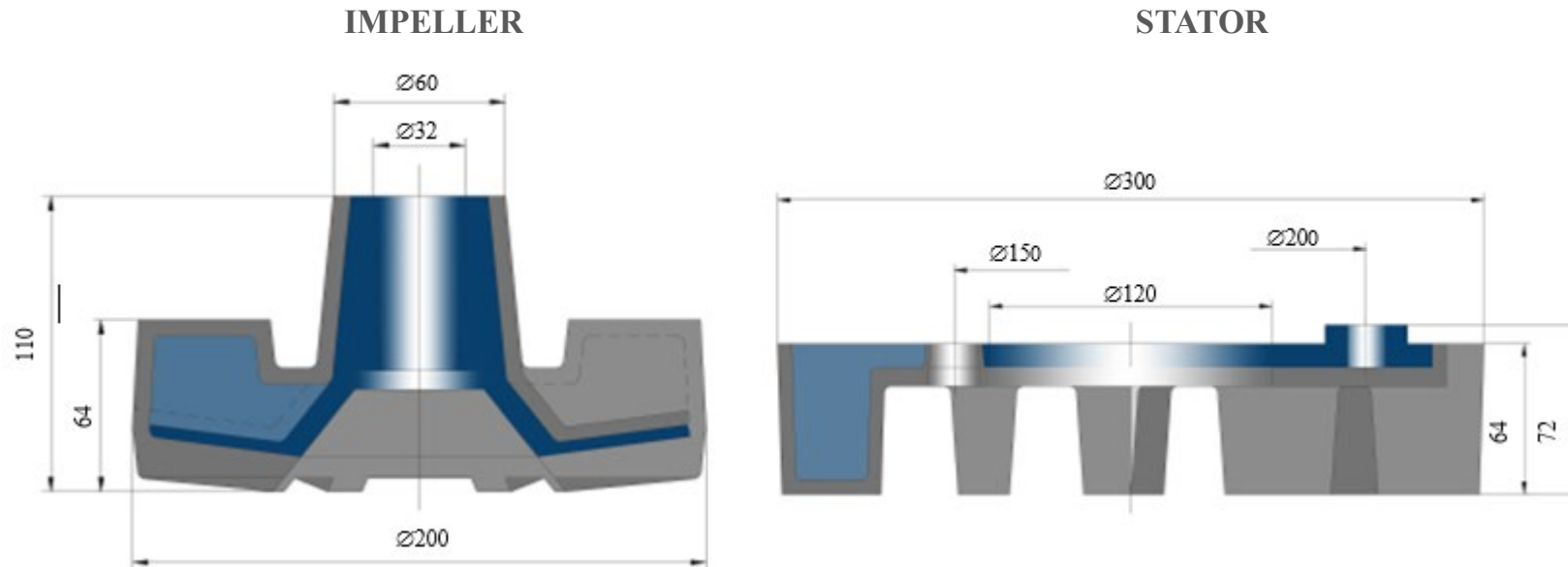


## BASIC PARAMETERS

RIVS Company manufactures aeration units for mechanical flotation machines with a chamber capacity from 0.2m<sup>3</sup> to 6.3m<sup>3</sup>.

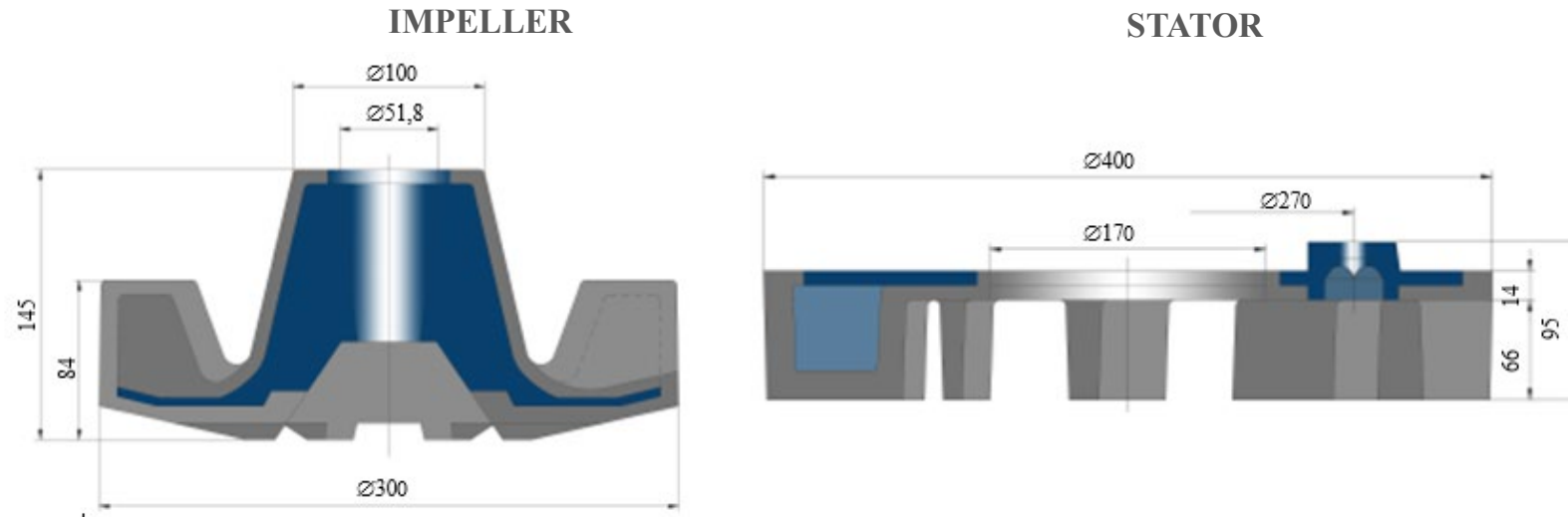
Aeration units made of rubber compounds of increased wear resistance have a service life of 1.5-2 times higher than aeration units made of conventional rubber compounds.

### FLOTATION MACHINE FM-0.2 (MECHANOBR 1G)

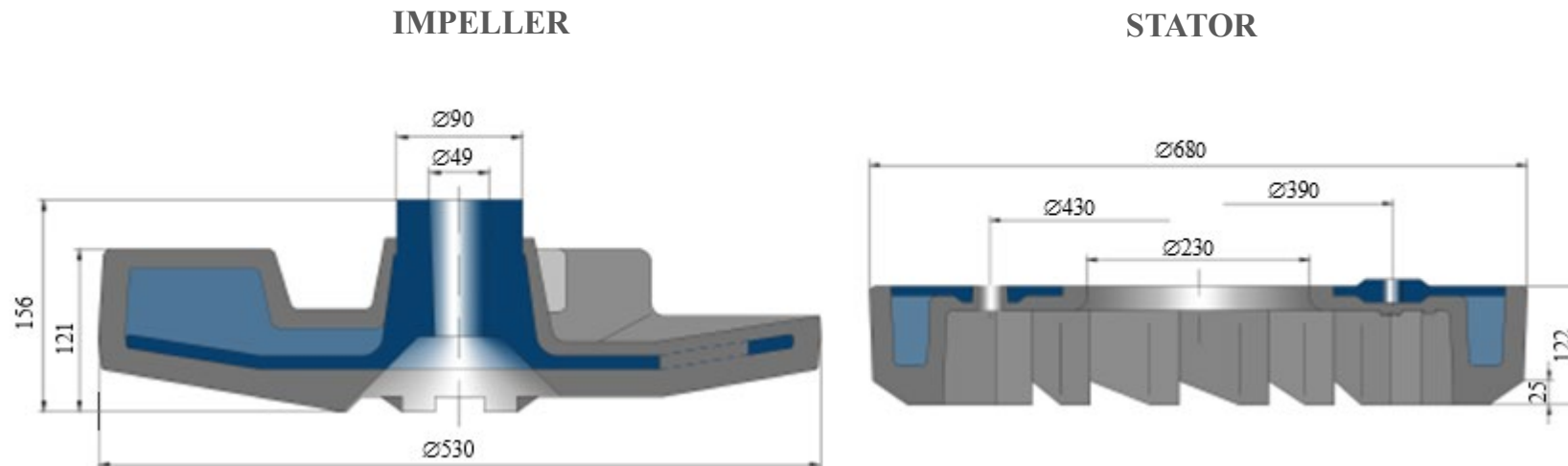


## BASIC PARAMETERS

### FLOTATION MACHINE FM-0.4 (MECHANOBR 3A)

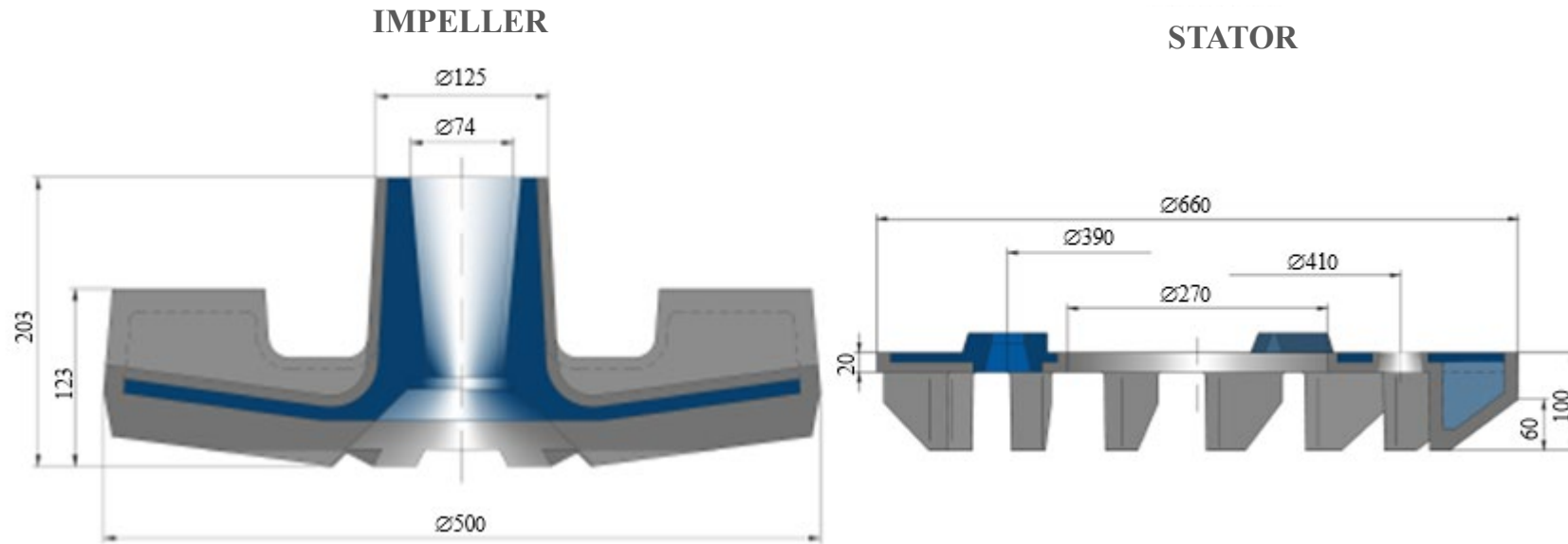


### FLOTATION MACHINE FM-1.2 (MECHANOBR 5A)



# BASIC PARAMETERS

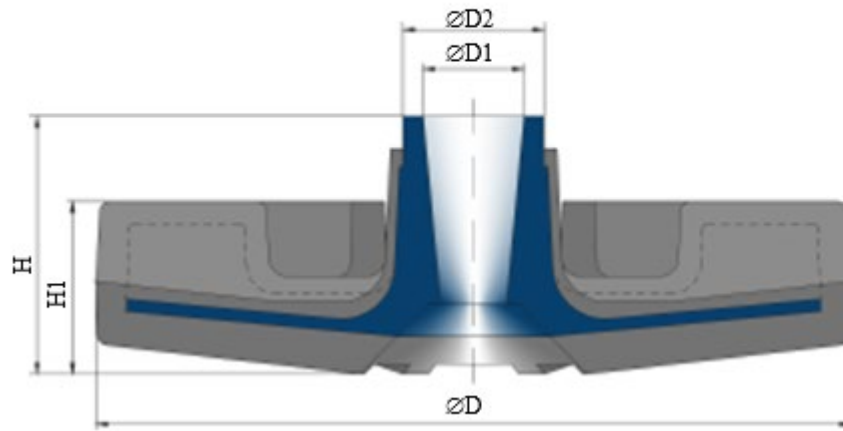
## FLOTATION MACHINE FM-1.2 (MECHANOBR 5B)



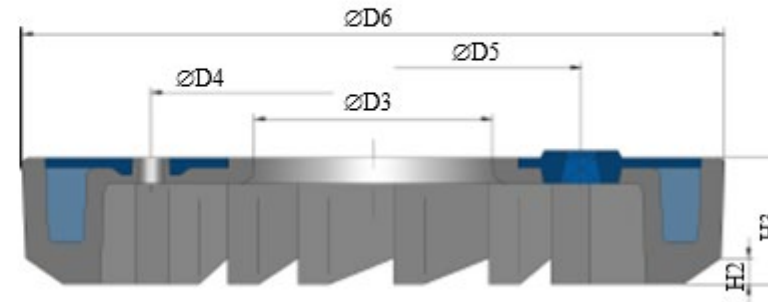
# BASIC PARAMETERS

## FLOTATION MACHINE FM-3.2 (MECHANOBR 6)

IMPELLER



STATOR

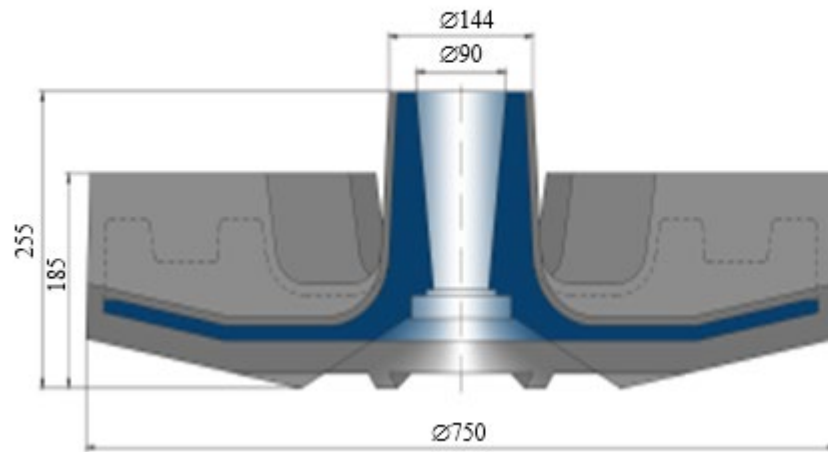


	<b>H</b>	<b>H1</b>	<b>D</b>	<b>D1</b>	<b>D2</b>	<b>H2</b>	<b>H3</b>	<b>D3</b>	<b>D4</b>	<b>D5</b>	<b>D6</b>
Version A	202	132	600	80	110	25	112	330	500	450	752
Version B	173	140	600	74	132	50	120	372	430	520	800

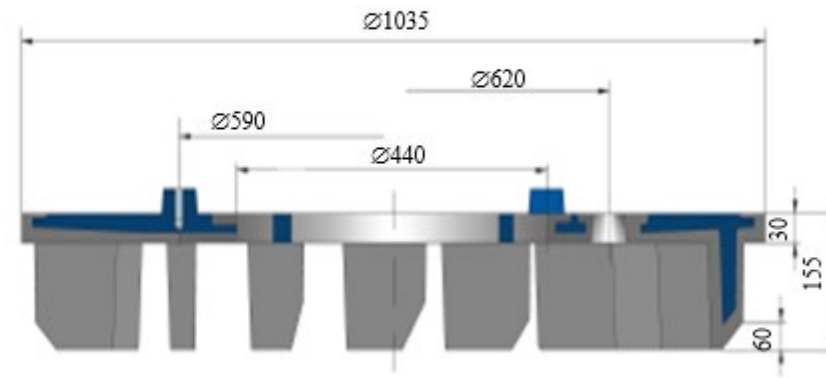
# BASIC PARAMETERS

## FLOTATION MACHINE FM-6.3 (MECHANOBR 7)

IMPELLER



STATOR





**THANK YOU FOR YOUR ATTENTION!**

**RIVS Scientific and Design Association  
Joint Stock Company**

Address: 11A, Zheleznovodskaya St., Saint-Petersburg, Russia

E-mail: [rivs@rivs.ru](mailto:rivs@rivs.ru)

